

## Flat Round Washer

**Washer Type:** Mudguard | Penny | Fender

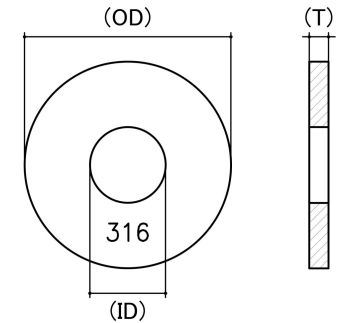
**Material:** Stainless Steel

**Class Grade:** A4-70 G316

**Corrosion Protection Level:** Ultimate

**Standard:** DIN 9021

**System Of Measurement:** Metric



*CAD drawings shown for graphic representation only.\**

Industry Size	Inside Dimension (ID) (mm)		Outside Dimension (OD) (mm)		Thickness (T) (mm)		sku (qfind)
	Min	Max	Min	Max	Min	Max	
M3 x 9 x 0.8	3.10	3.50	8.70	9.00	0.70	0.90	71S39M
M4 x 12 x 1	4.10	4.60	11.60	12.00	0.90	1.10	71S412M
M5 x 15 x 1.2	5.10	5.50	14.60	15.00	1.10	1.40	71S515M
M6 x 18 x 1.6	6.10	6.80	17.60	18.00	1.40	1.80	71S618M
M8 x 24 x 2	8.60	9.20	23.50	24.00	1.70	2.20	71S824M
M10 x 30 x 2.5	10.20	10.75	29.50	30.00	2.20	2.50	71S1030M
M12 x 37 x 3	13.00	13.97	36.50	37.00	2.70	3.00	71S1237M
M16 x 50 x 3	17.00	17.60	49.50	50.00	2.70	3.00	71S1650M
M20 x 60 x 4	20.90	22.10	58.30	60.00	3.50	4.00	71S2060M

**Disclaimer:**

Dimensional data and technical information was obtained from publically available sources and not acquired through standard agencies. It has been completed and compiled for reference purposes only; where discrepancies are found they are subject to change without notice. Bolt & Nut Australia makes no warranties or representations regarding the accuracy and validity of the compiled information and data. Contact the relevant standard authorities for accurate and detailed information.

\* CAD drawings may not reflect diameter, thread length or overall length.

© Bolt & Nut Australia Pty Ltd. All rights reserved.

Version: 18 Mar 2024